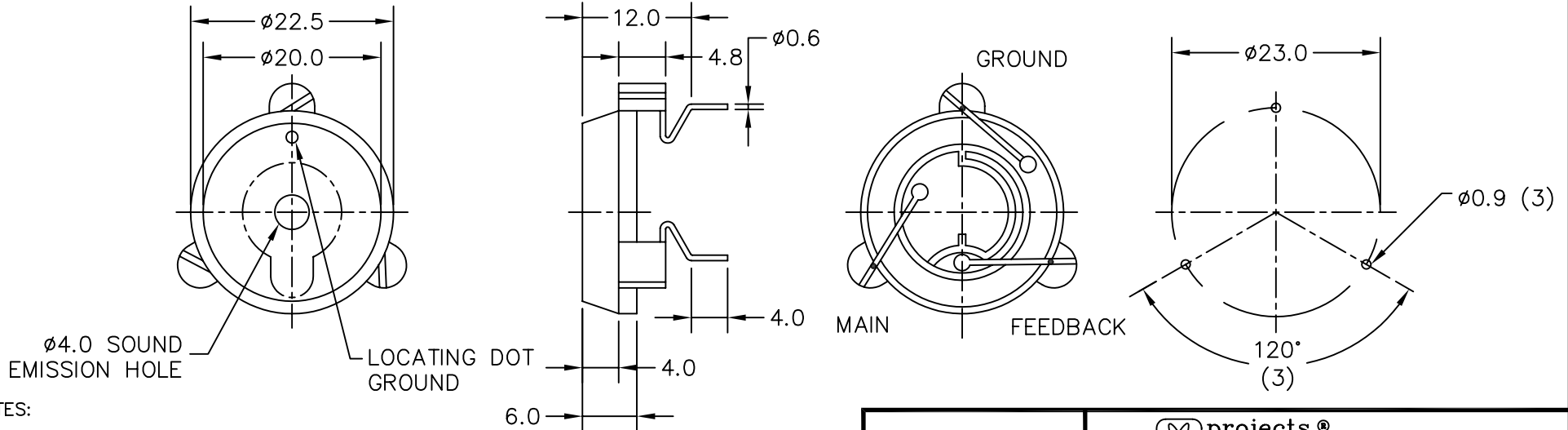
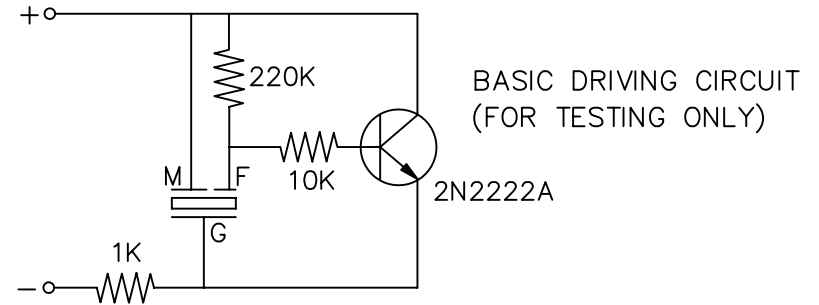


THIS DOCUMENT CONTAINS DATA PROPRIETARY TO PROJECTS UNLIMITED, INC. ANY USE OR REPRODUCTION, IN ANY FORM, WITHOUT PRIOR WRITTEN PERMISSION OF PROJECTS UNLIMITED, INC. IS PROHIBITED.  
 ©2003, Projects Unlimited Inc.

### SPECIFICATIONS

PARAMETERS	VALUES	UNITS
RATED VOLTAGE (SQUARE WAVE)	12	Vp-p
OPERATING VOLTAGE RANGE	3 ~ 18	Vp-p
RATED CURRENT (MAX)	8	mA
CAPACITANCE	11,000±30%	pF
MINIMUM SPL @ 10 CM	90	dBA
RESONANT FREQUENCY	3,600±500	Hz
OPERATING TEMPERATURE	-20 ~ +60	°C
STORAGE TEMPERATURE	-30 ~ +70	°C
HOUSING MATERIAL	ABS	-
TERMINAL MATERIAL	NiSn PLATED PHOSPHER BRONZE	-
WEIGHT	3.8	grams

REVISIONS			
LTR	DESCRIPTION	DATE	APPROVED
-	RELEASED FROM ENGINEERING	8/25/05	
A	REVISED BASIC TEST CIRCUIT	1/04/06	B.R.



NOTES:

1. ALL DIMENSIONS ARE IN MILLIMETERS.
2. SPECIFICATION SUBJECT TO CHANGE OR WITHDRAWAL WITHOUT NOTICE.
3. PART WASHABLE USING DEIONIZED WATER, OR PURE ISOPROPYL ALCOHOL.
4. THIS PART IS RoHS 2002/95/EC COMPLIANT.

FILE NAME  
 AT-2336-TWT-R.DWG

UNLESS OTHERWISE SPECIFIED: DIMENSIONS ARE IN MILLIMETERS, TOLERANCES ARE ±0.5 AND ANGLES ARE ±3°.		<b>projects® unlimited</b> Dayton, Ohio	
APPROVALS DRAWN <i>J.A.F.</i> 8/05 APPROVED <i>E.P.</i> 8/05 <i>B.R.</i> 8/05		TRANSDUCER(ELECTRO-MECH)	
DO NOT SCALE DRAWING		SIZE A	DRAWING NO. AT-2336-TWT-R
		SCALE: N.T.S.	SHEET 1 OF 1